



Akhter Computers Ltd
Drone division
01279 821200
Sales@akhter.co.uk
Akhter.co.uk



(OPTIONAL)

DJI Mavic 2 Gen 2



SPECIFICATIONS

The table below shows the aircraft specifications.

Dimensions

Motor to motor	1067 mm
Overall dimensions (M to M)	1067 x 924 x up to 650 mm (LxWxH) 1565 x 1432 x up to 650 mm (LxWxH, with props extended)
Pack down	880 x 660 x 483 mm (LxWxH)
Payload ground clearance	Up to 280 mm (short legs) or 380 mm (long legs)
Time to assemble/disassemble	Less than 10 minutes

Power configuration

Number of motors	6 brushless electric motors
Motor make and model	KDE XF5215
Electronic speed controller	KDE 55A - 600Hz

Propellers

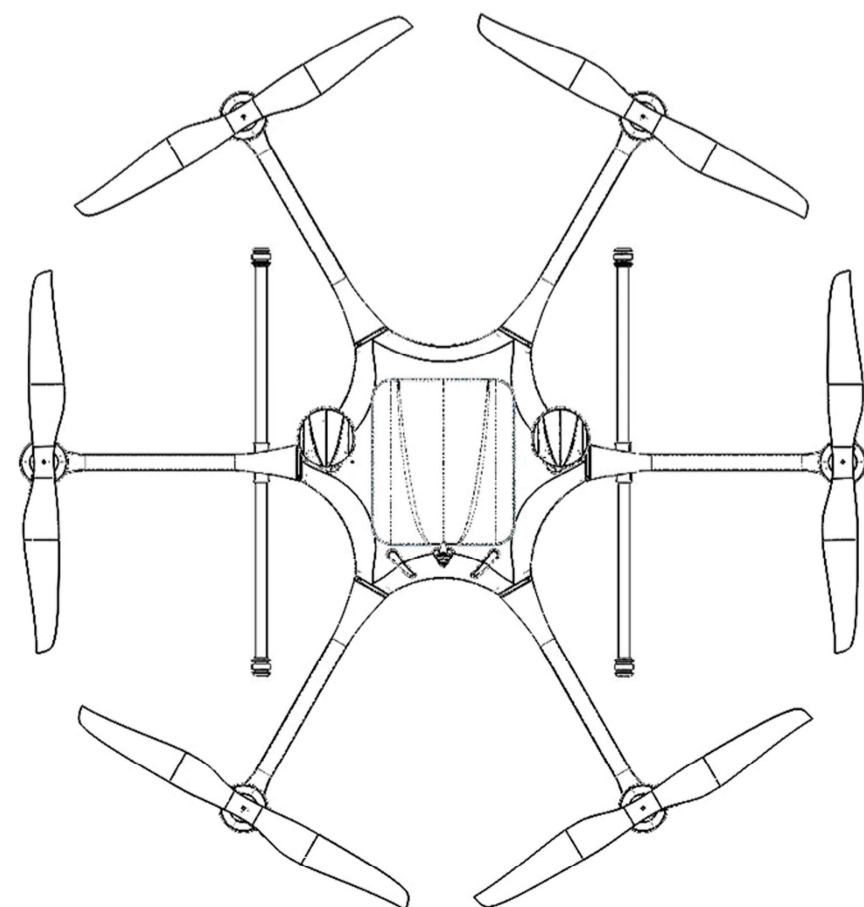
Propellers make and model	Mejzlik 20" non folding
Material	Carbon fibre
Orientation	3 CW and 3 CCW

Battery

Type	Lithium polymer (LiPo)
Nominal battery voltage	6S(22.2V) / 12S(44.4V)
Minimum battery configuration	10A (1 x 10A)
Maximum battery configuration	60A (2 x 30A)
Battery connectors	AS150 + XT150 anti spark

Weights

Typical empty weight	6.5kg (XF5215)
Max take-off mass	18.0kg (XF5215-6S) / 25kg(XF5215-12S) (at 20°C and 1013mbar)
Max payload	6.0kg (XF5215-6S) / 10kg(XF5215-12S)



Payload mounting

Location	Bottom (or top as option)
System	Carbon fibre plate with rail system and vibration dampers (customisable to payload requirement)

Efficiency Flight controller

Flight endurance	Up to 59 minutes
Flight controller	Cube Orange
Flight modes	Loiter, Altitude Hold, Stabilised, Return-to-Launch, GPS waypoint navigation (with auto land and take-off), Fly Here, Follow Mode
Supported input	S.Bus or PWM
Flight telemetry system	Incorporated
Battery telemetry system	Incorporated
Telemetry link frequency	2.4 GHz
Minimum RC transmitter channels	10 or more required
RC transmission frequency	2.4 GHz (extra frequencies as redundancy options)
Satellites	GPS/GLONASS/BeiDou as required

Positioning accuracy

Horizontal:	Up to 0.4m or 0.02m with RTK
Vertical:	Up to 0.1m or 0.01m with RTK

Flight controller limits

Maximum pitch / roll angle	45°
----------------------------	-----

First person view camera

Position	Bottom front of core
FPV camera	HD
FPV OSD telemetry	User configurable
Broadcast link frequency	2.4 GHz

Lighting

Conspicuity light	Green flashing LED
Navigation lights	3 Watt red and green LED (customisable)
Head lights	Red LED

Operating limitations and conditions

Always stay within the limits set by your National Aviation Authority.

Max horizontal speed	20 m/s
Max vertical speed	6 m/s
Wind tolerance	12 m/s (26.8 mph)
Operating temperature	-20°C - +45°C
Precipitation	Can operate in light rain or snow Can operate through heavy showers (as option)

Akhter Computers Ltd

Drone division

01279 821200

Sales@akhter.co.uk

Akhter.co.uk

1-3 Marshgate Business Centre, Harlow Business Park, Parkway, Harlow, Essex CM19 5QP